

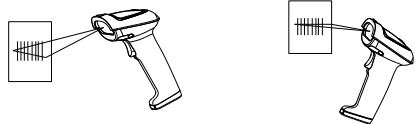
1D Bluetooth & 2.4G Barcode Scanner User Guide



Factory Default

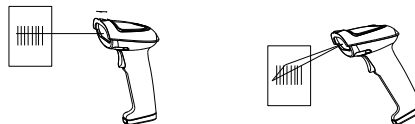
Correct usage of barcode scanner:

- (1) Make sure barcode scanner, cable, host device connect properly;
- (2) Press trigger button and the red laser line appears, and move the laser line to cover barcodes completely, adjust barcode scanner's distance and angle to figure out best reading status;
- (3) Do not scan the setting barcodes in the manual without instruction, it may cause barcode scanner not work properly;
- (4) Avoid 90 degree to read barcodes.



Correct Reading

Correct Reading



Incorrect Reading

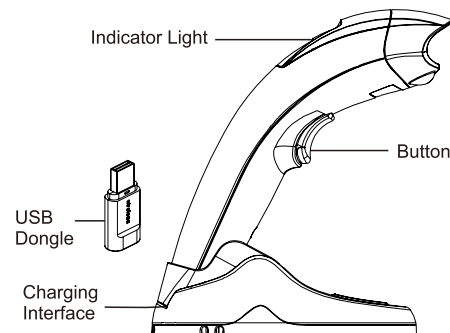
Incorrect Reading

Structure Chart:

Power Indicator: Blue LED

BT Pairing Indicator: Red LED

Charing Pairing Indicator: Green LED



Product Features:

- 1) Powerful decoding chip to read most standard 1D barcodes;
- 2) Memory chip can store max 35000 barcodes(EAN13);
- 3) Long wireless range up to 50m in open yard;
- 4) Compatible with Android and IOS devices;
- 5) Can use as wired barcode scanner through charging cable.

Technical Parameter:

Barcode Scanner	
Data Item	Parameter
Light Sources	617 nm LED red
Decoding capability	UPC-A,UPC-E,EAN-13,EAN-8, Codabar, Code 39,Code 39 Full ASCII,China Post,Plessey, MSI, Code93,Code128, Industrial 2of5, Interleave 2 of 5, Code 11, ISBN, ISSN,Code32(Italian pharm code), Code39 extended, NVE-18, PZN, Ean-14,LOG Mars,GS1-128 and ITF-14, SISAS, GS10 mndirectional, GS1 Limited, Aviation25, RSS 14.
Minimum Element Resolution	≥3mil
Scan Type	ccd image sensors
scanning speed	≥270 times/sec
Scanning Mode	Manual/Continuous/Auto-flashing/Auto-scanning
Resolution Ratio	1500point
Scanning Depth	EAN13 10-330MM (0.33mm)
Interface	USB-HID
Error Rate	1/500million
Cable Length	1.2m
Material	ABS+PC
Working Current	working 170mA
Working Voltage	DC5V±5%
Shock Resistance	withstand multiple times 3 meters drops to concrete
Working Temperature	-20°C - 50°C
Storage Temperature	-40°C - 70°C
Relative Humidity	5% - 95% RH (Non-condensing)

Bluetooth Pairing instruction

Pair instruction

A:Barcode Scanner pair with USB dongle

Step 1,Scan Below Pairing barcode I, barcode II in sequence,and the scanner LED indicator become red and flashing;



II



Step 2,Connect the USB dongle to host device and wait a second ,the LED indicator both become blue on barcode scanner and USB dongle after succeed pair.

B:Barcode scanner pair with bluetooth device

Step 1,Scan Below Pairing barcode I, barcode II in sequence,and the scanner LED indicator become red and flashing



II



Step 2,Open bluetooth in the bluetooth device and search for the barcode scanner which named "R&B40 and click connect ,wait a second ,the barcode scanner LED indicator becomes red after succeed pair

Keyboard ON or OFF in IOS device



Note : Scan above Barcode to enable or disable Keyboard in the IOS device

Wired Mode



Note :Scan above setting barcode "Wired Mode", connect the scanner to host device by the charging cable ,it can used as wired barcode scanner

3 Optional Wireless Mode



Normal



Inventory



Automatic storage(default)

Note:

- 1) Normal Mode:the data will be uploaded to host device immediately after scan ,out of range it will not save the data ,and there will be 2 alarm beeps out of range;
- 2) Inventory Mode:the data will be saved in the memory chip ,and upload data to host device as instructed; Eg: scan the "upload all data and clear", the scanner will upload all data saved in the memory chip and cleared the original data.
- 3) Automatic storage Mode:the data will be uploaded to host device immediately after scan if the scanner in range , the data will saved in the memory chip if the scanner out of range which will heard 2 alarm beeps, press the scanner trigger to upload the saved data after back to range,and the original data in the memory chip will be cleared.

Data upload instruction in Inventory Mode



Upload all data



Upload new data



Display all data



Display new data



Data delete

Scan Mode



Manual(default)



Continuous



Auto-flashing

Keyboard Caps Lock Control



Capitalize



Lower Case



Case Swap



None(default)

Buzzer



OFF



ON



Low



High

Transmit Speed



No delay



20ms



40ms

Image Inverted



Direct



Reverse

Suffix setting



CR(default)



CR&LF



NONE

Keyboard language



USA(default)



Germany



France

Symbology configuration



Enable UPCA to EAN13



Disable UPCA to EAN13 (Default)



Enable UPCE to UPCA



Disable UPCE to UPCA (Default)



Enable EAN13 to ISBN



Disable EAN13 to ISBN (Default)



Enable EAN13 to ISSN



Disable EAN13 to ISSN (Default)



Enable 5 digit Extra-code



Enable 2 digit Extra-code



Disable extra-code (Default)



Hide front 1 digit character



Hide front 2 digit character



Hide front 3 digit character



Hide last 1 digit character



Hide last 2 digit character



Hide last 3 digit character